



Contains: 1 vial (powder), 1 prefilled syringe (sterile water), 1 vial adaptor, 1 dosing syringe, 1 needle, 4 alcohol wipes, 1 package insert, 1 instruction for use.

Reconstitute prior to administration. Refer to the Instructions for Use for detailed instructions on the proper preparation and administration of WINREVAIR.
For Dosage and Administration, Contraindications, Precautions/Warnings, see accompanying circular.



For subcutaneous injection
For single use only

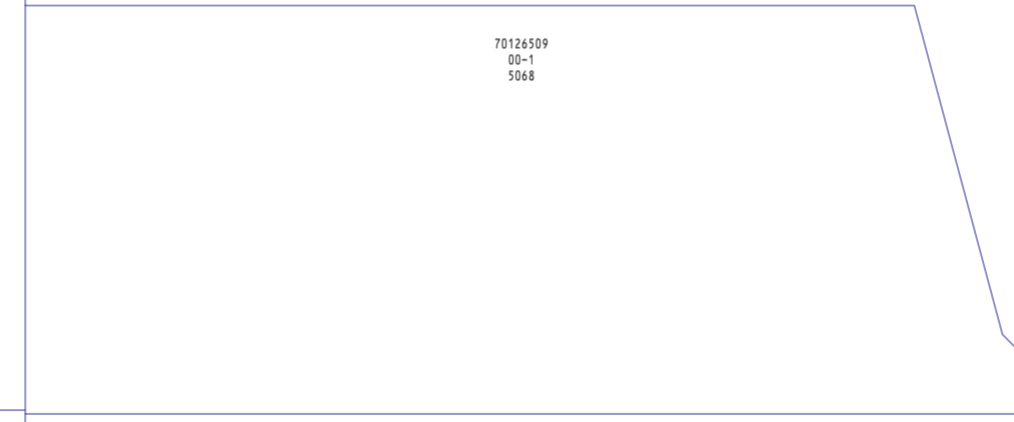
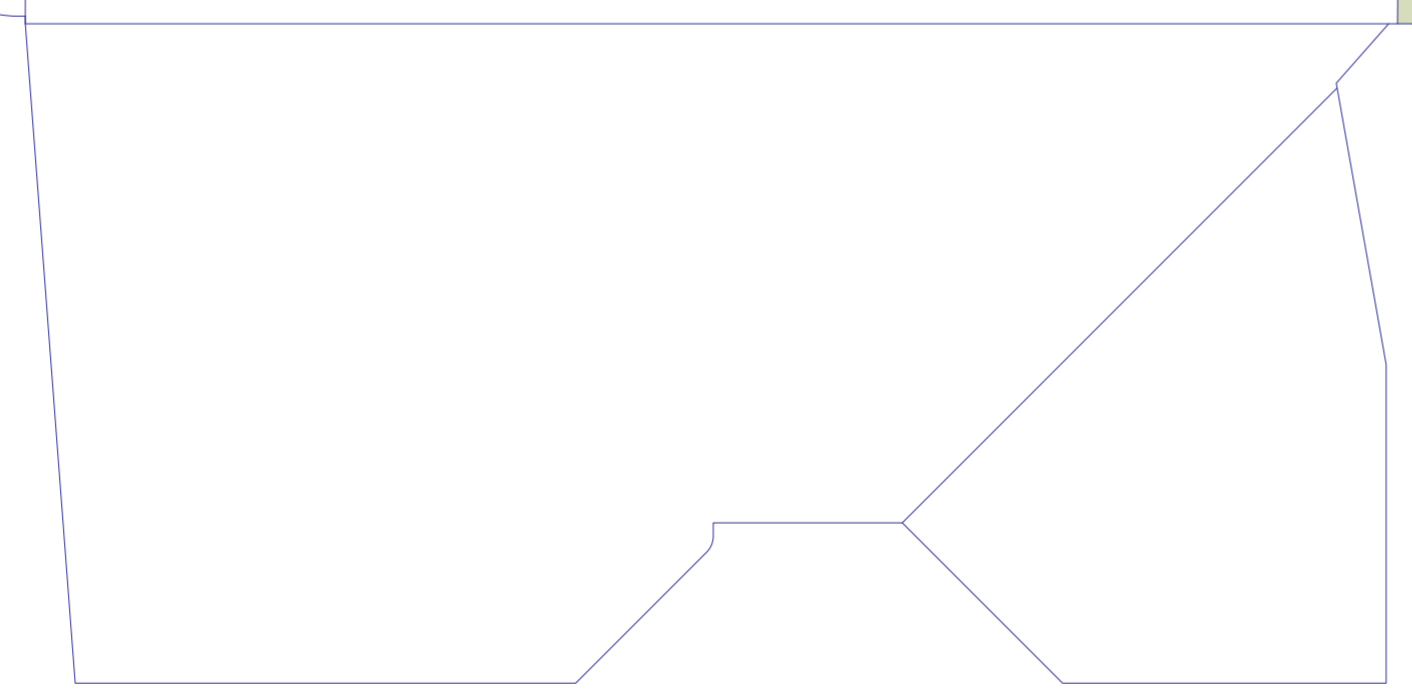


WINREVAIR
45 mg
Powder and Solvent for Solution for Injection
sotatercept

CONTROLLED MEDICINE
Each vial contains 45 mg of sotatercept. The concentration of the reconstituted solution is 50 mg/mL and 0.9 mL can be withdrawn.
*Keep out of the sight and reach of children.
Jauhii ubat daripada kanak-kanak.*

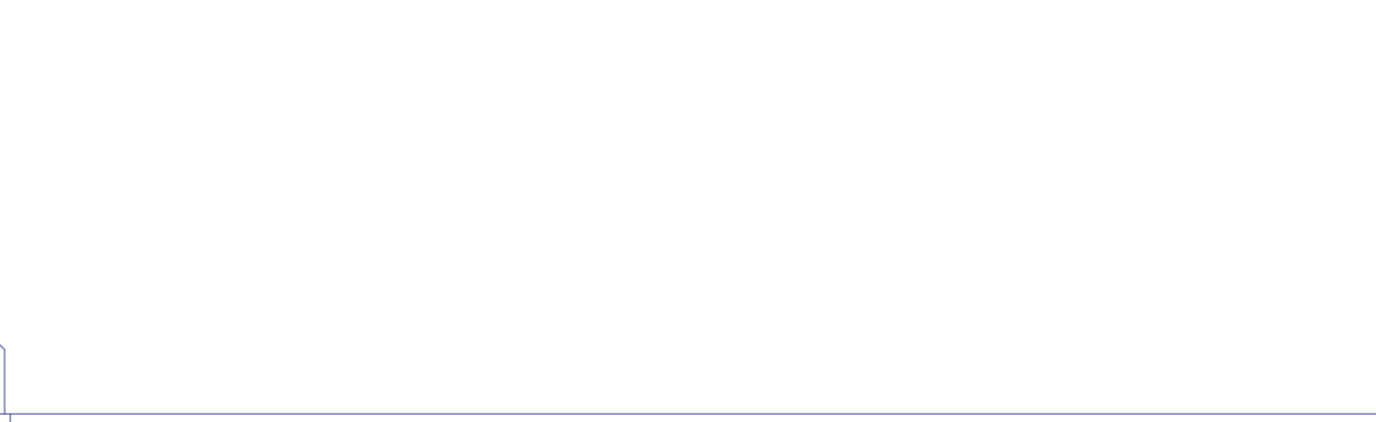
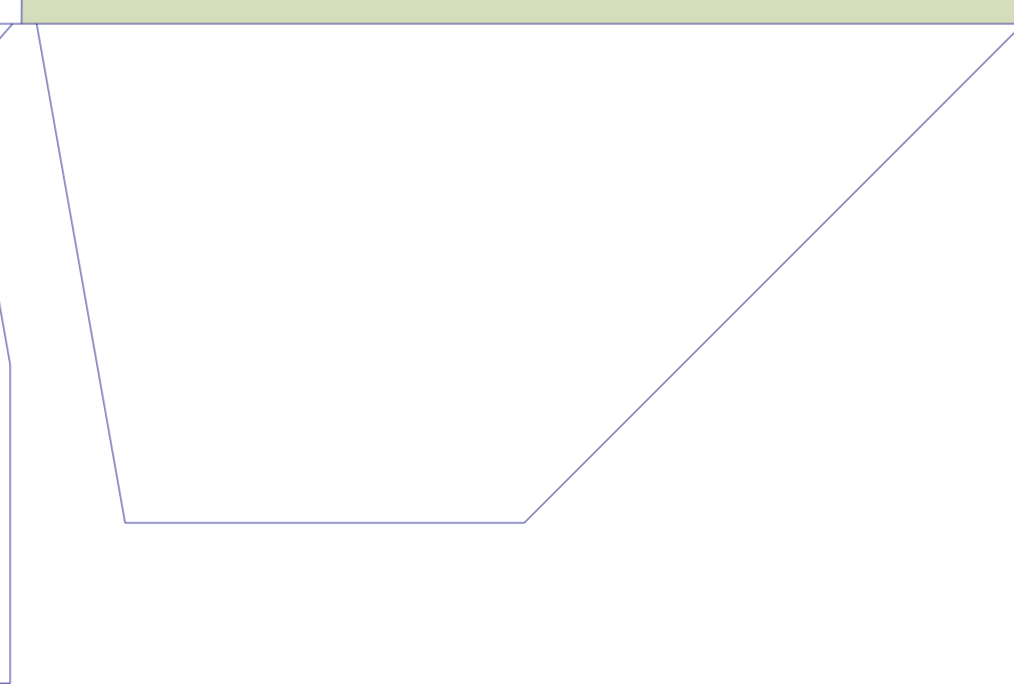
MY_NNN

EXP
LOT
MFG



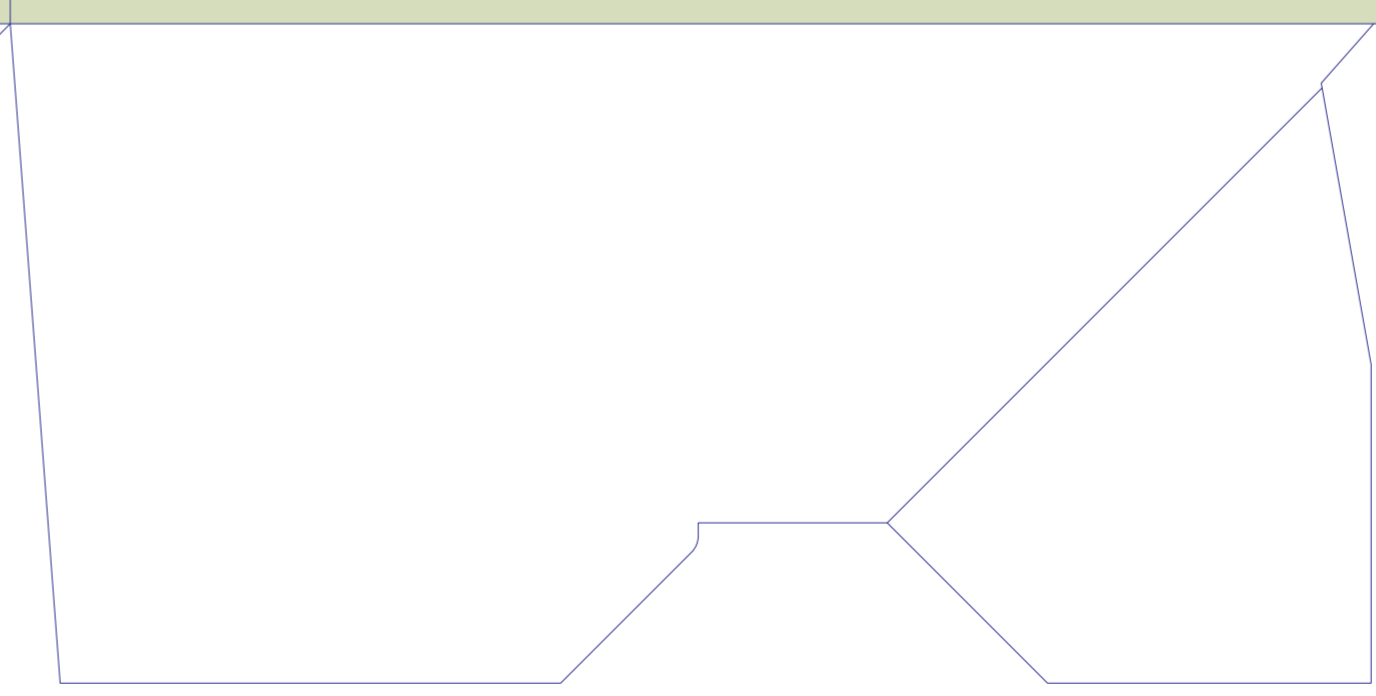
WINREVAIR
45 mg
sotatercept
Powder and Solvent for Solution for Injection
For subcutaneous injection
For single use only
MSD

MAL26026002ACZ

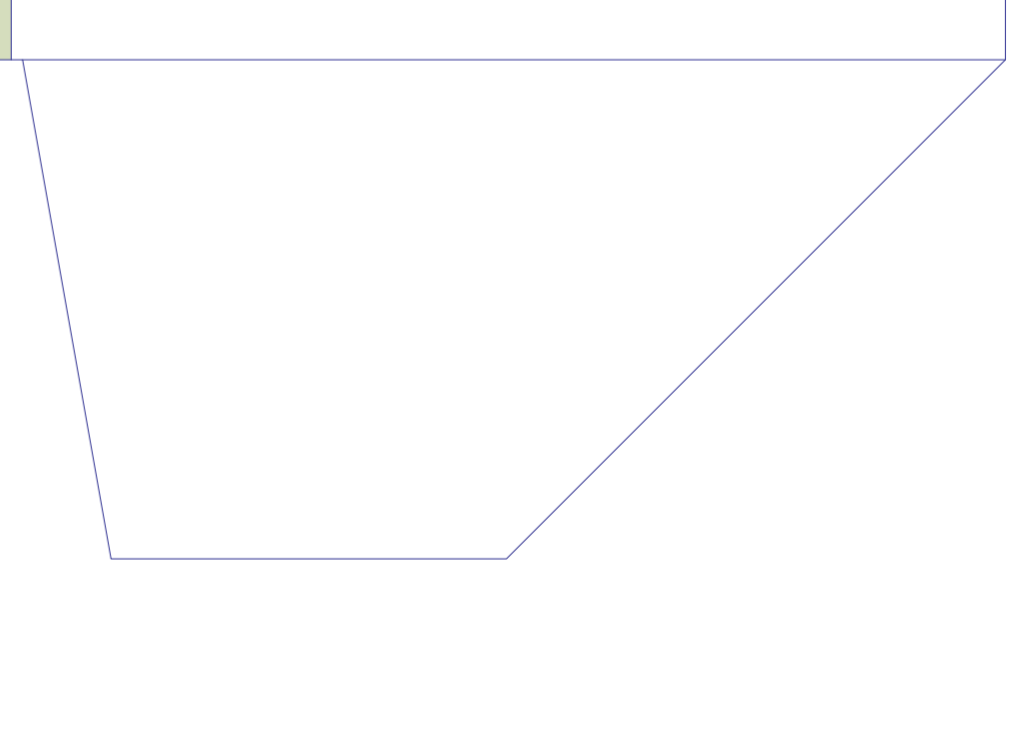


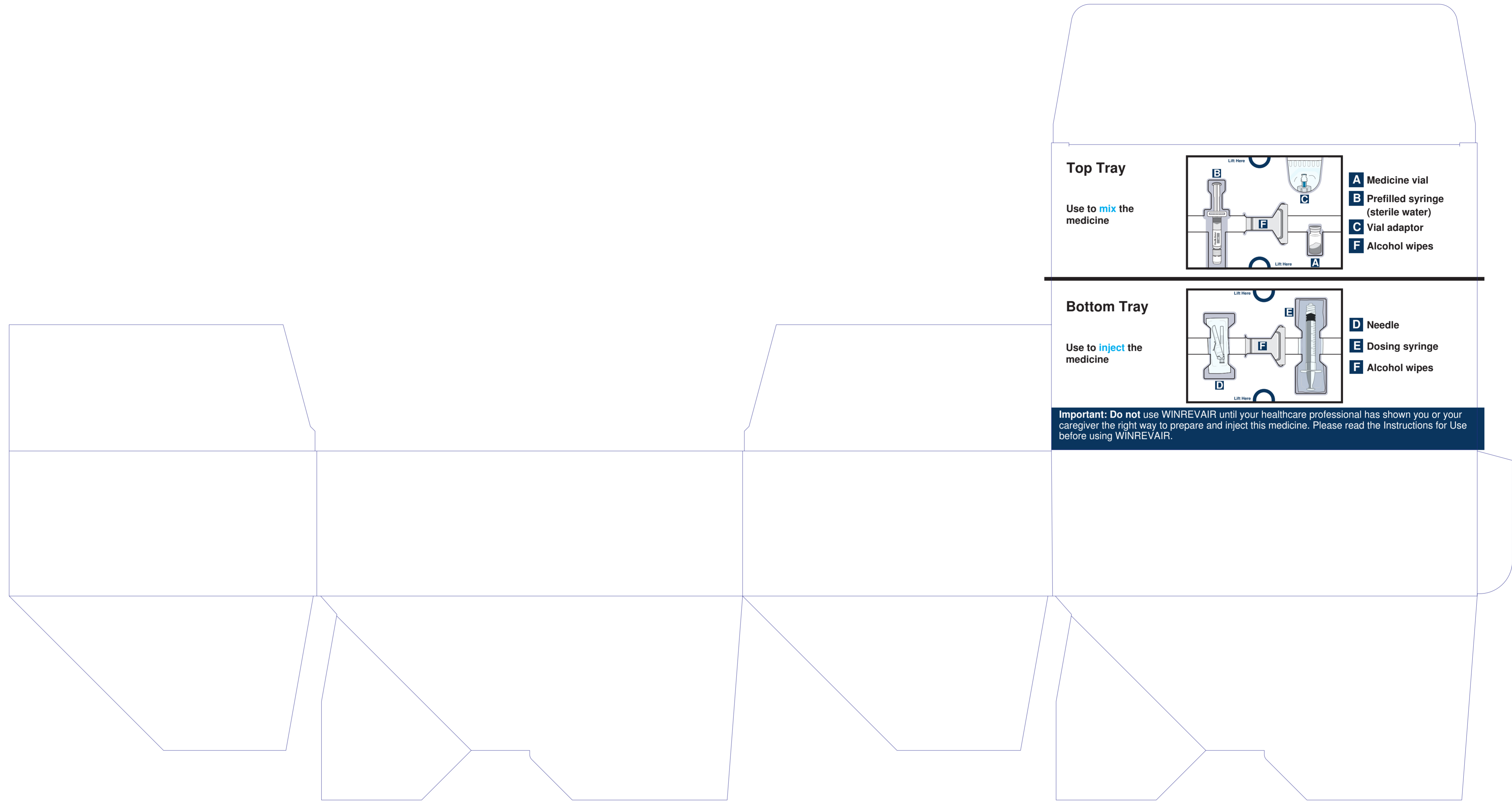
WINREVAIR
45 mg
sotatercept
Powder and Solvent for Solution for Injection
For subcutaneous injection
For single use only
MSD

Contains: 1 vial (powder), 1 prefilled syringe (sterile water), 1 vial adaptor, 1 dosing syringe, 1 needle, 4 alcohol wipes, 1 package insert, 1 instruction for use.



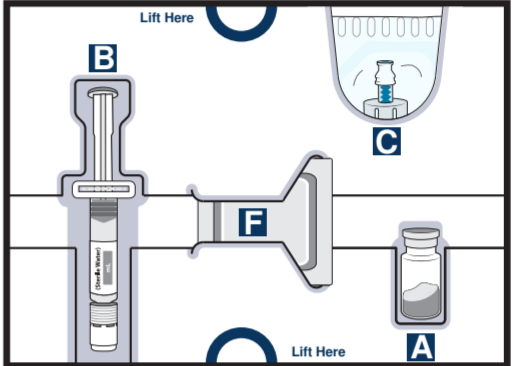
Product Registration Holder:
MERCK SHARP & DOHME (MALAYSIA) SDN. BHD.
Lot No. B-22-1 & B-22-2, Level 22
The Ascent, Paradigm No. 1
Jalan SS 7/26A, Kelana Jaya
47301 Petaling Jaya
Selangor, Malaysia
Manufactured by:
Patheon Italia S.p.A.
Viale G.B. Stucchi, 110-20900 Monza (MB), Italy
Packed and Released by:
MERCK SHARP & DOHME B.V.
Waarderweg 39, Haarlem, 2031 BN, Netherlands





Top Tray

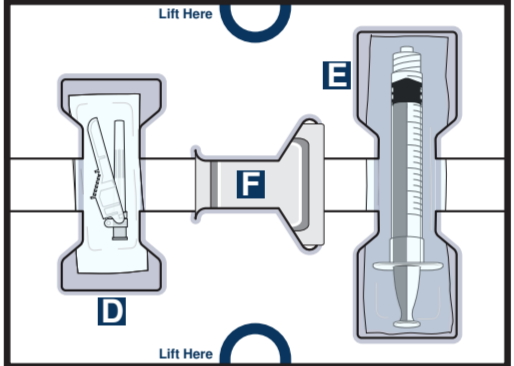
Use to **mix** the medicine



- A** Medicine vial
- B** Prefilled syringe (sterile water)
- C** Vial adaptor
- F** Alcohol wipes

Bottom Tray

Use to **inject** the medicine



- D** Needle
- E** Dosing syringe
- F** Alcohol wipes

Important: Do not use WINREVAIR until your healthcare professional has shown you or your caregiver the right way to prepare and inject this medicine. Please read the Instructions for Use before using WINREVAIR.