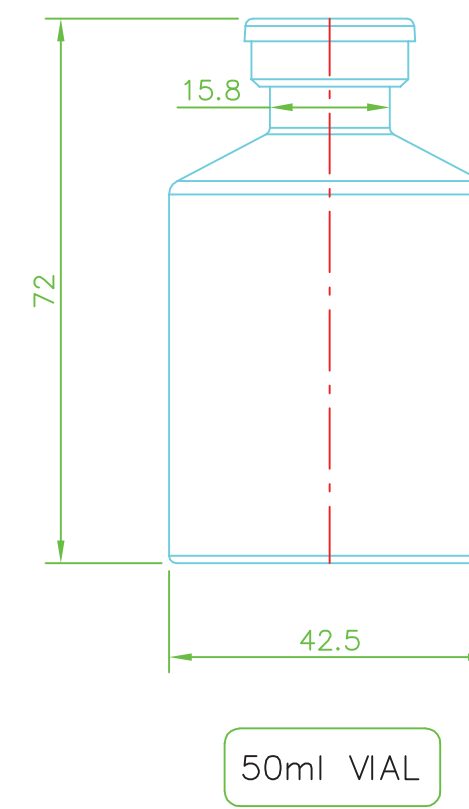
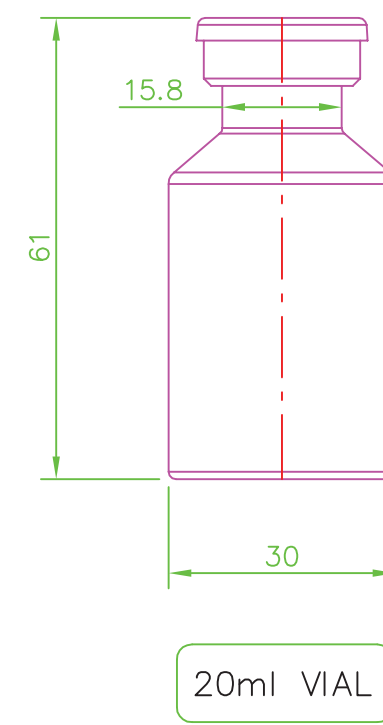
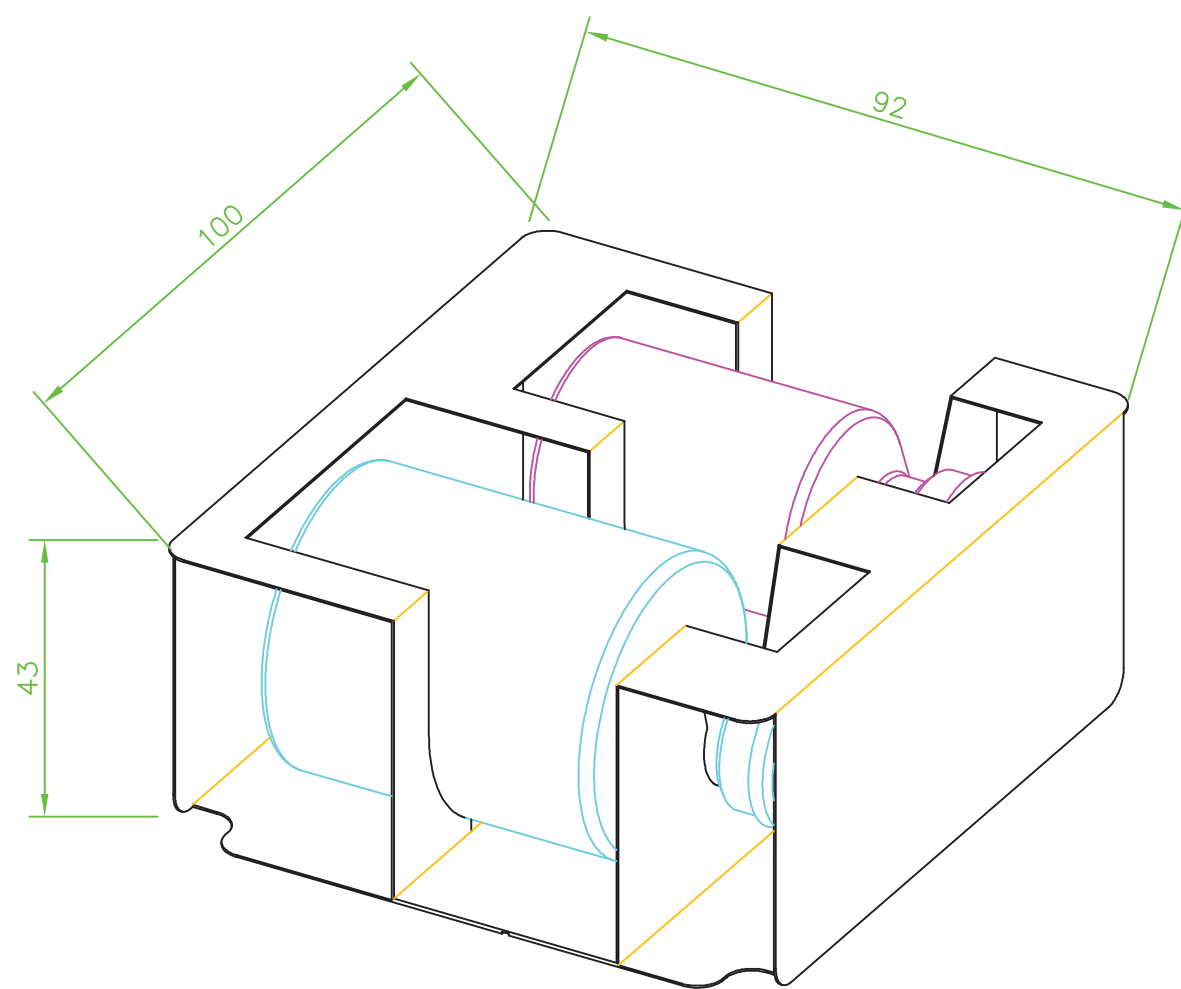
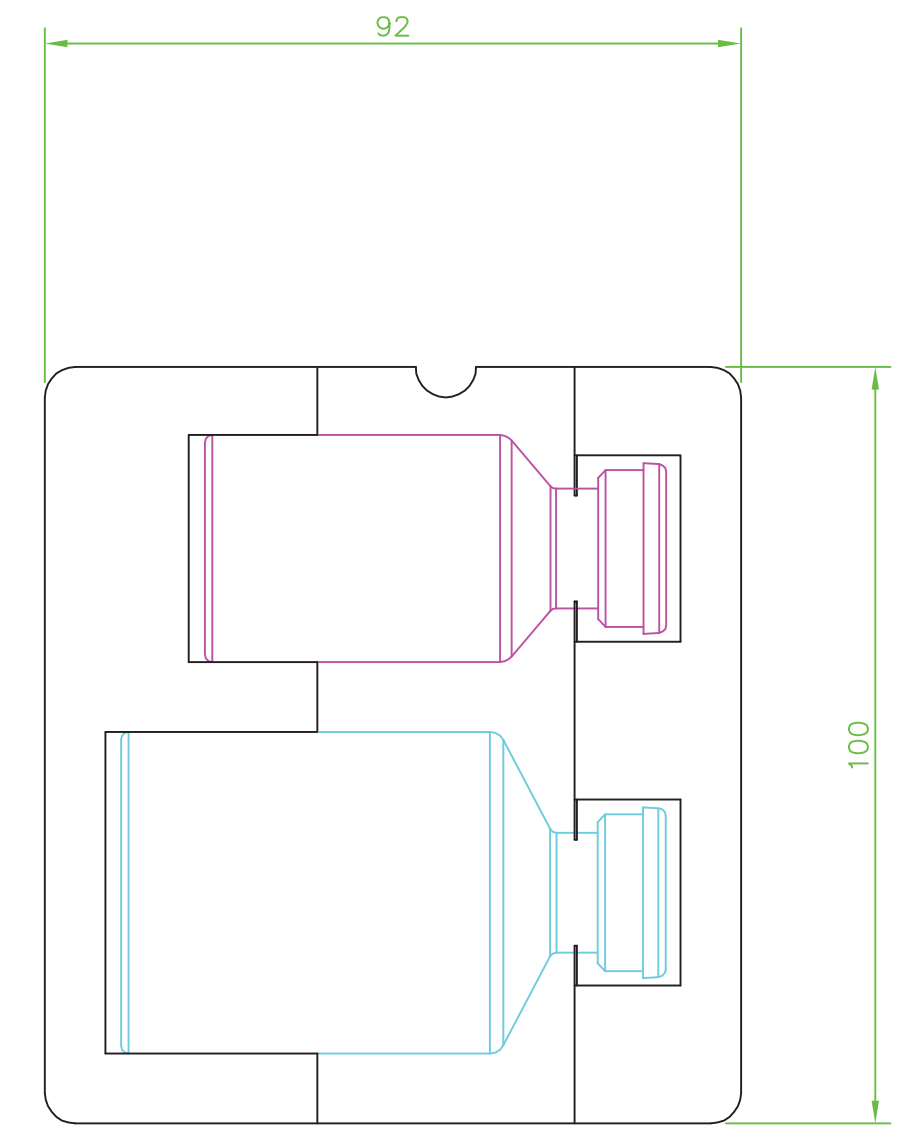
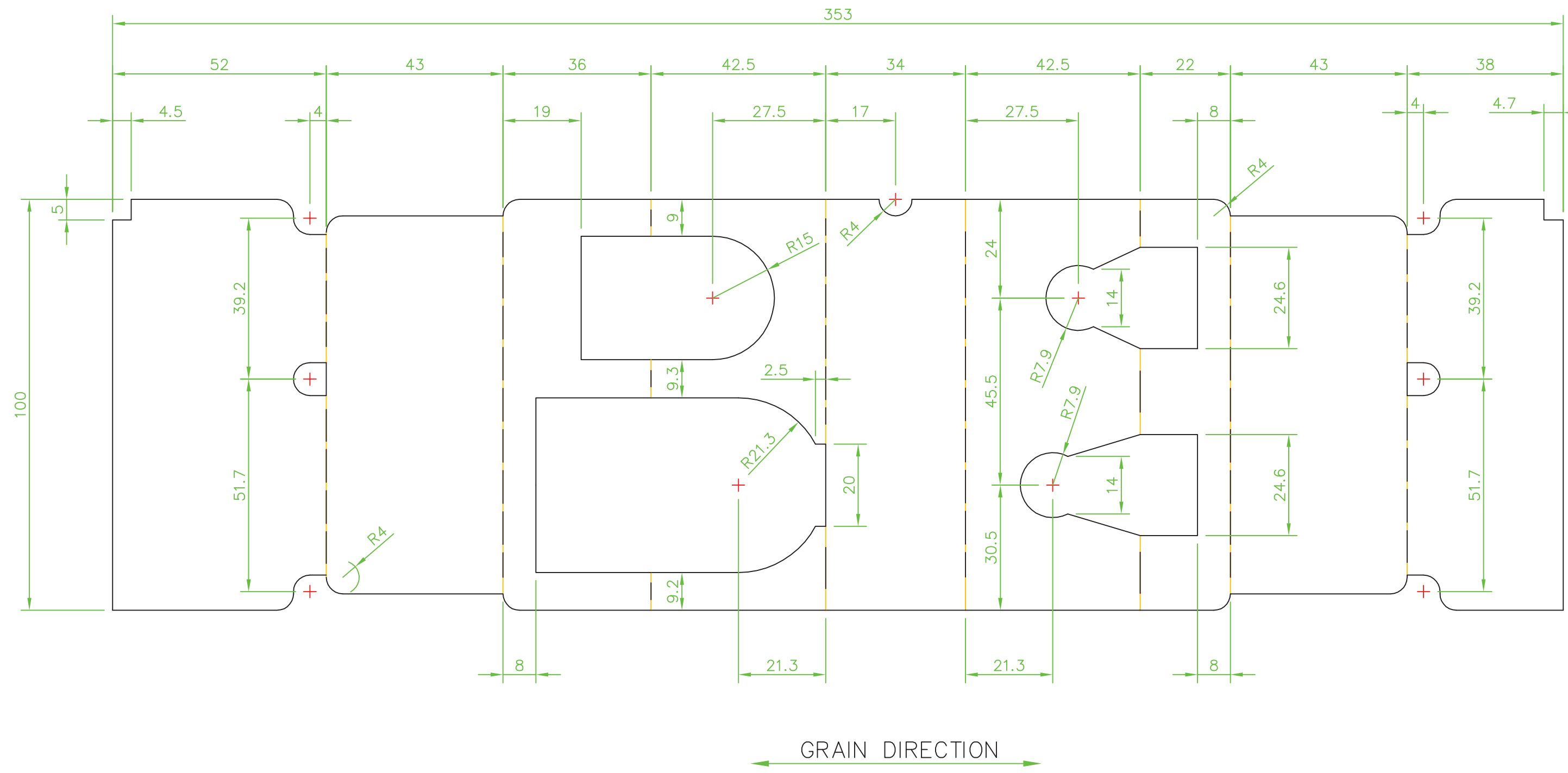


GRAIN DIRECTION

Perforation should be as per Artwork

<b>Product Name</b>	Ogivri Trastuzumab (rDNA Origin) Powder for concentrate for solution for infusion 420 mg/vial	<b>Component</b>	CARTON
<b>Dimensions</b>	96 (L) x 60 (W) x 104 (H) mm	<b>Artwork Code</b>	BFXXXXX/XX
<b>Pharmacode</b>		<b>Country</b>	For Malaysia from India Mfg SALES (SEZ)
<b>Font Type</b>	Helvetica Neue LT Pro	<b>Specification:</b> 350 GSM CFBB Board both side Double sided 3M tape with release paper : 3M'S 91031	
<b>Font Size</b>	4 pt		
<b>Colors</b>	 Keylines Varnish Free		



Size: L263 X W 100 X H 43 mm  
 Board: 250 GSM CFBB BOARD  
 SAP Code: 650004144