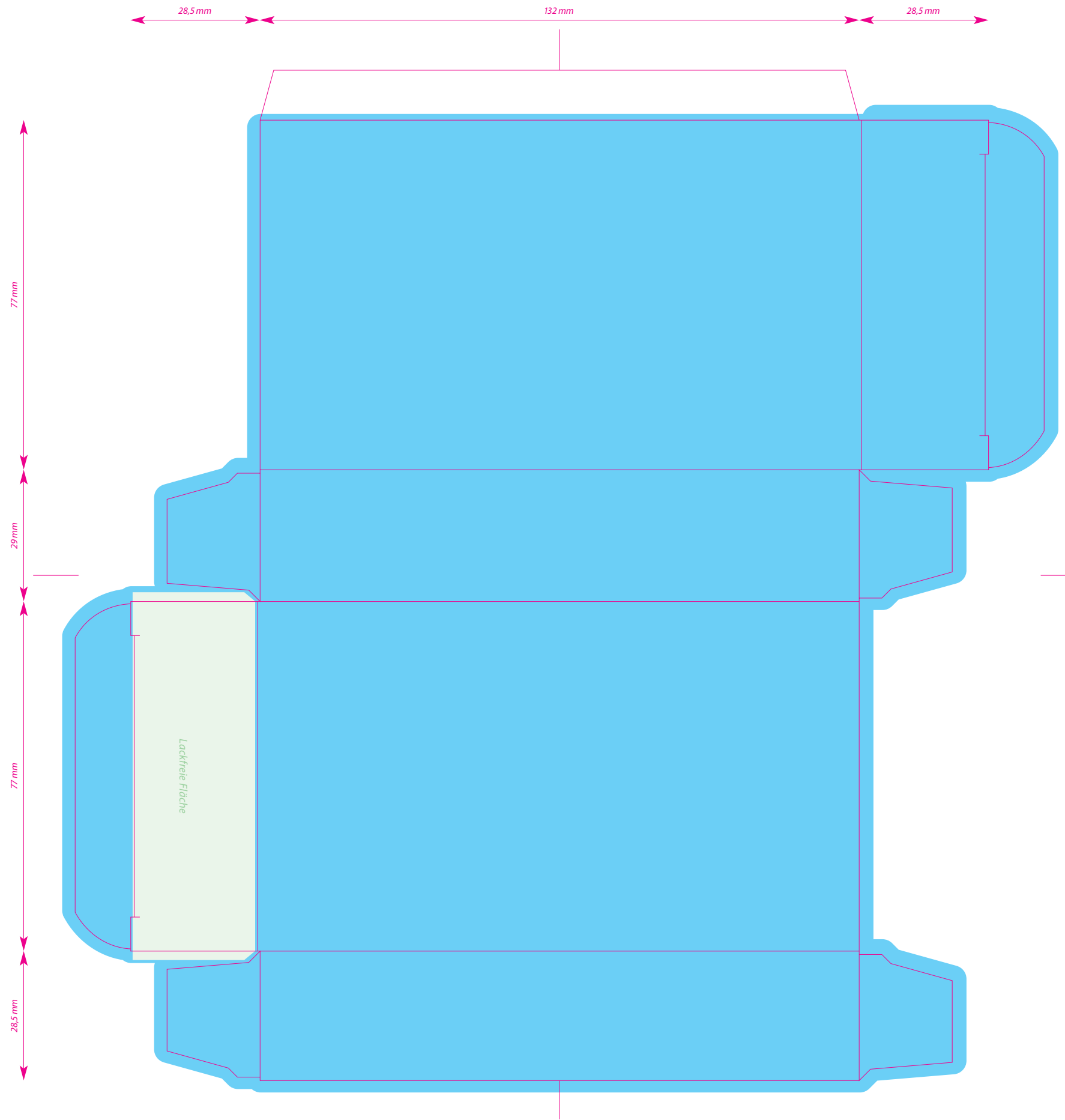



<p>RML Typografik GmbH Schleusenstraße 17 60327 Frankfurt 069-46 87 02 ☎ box@rml-ffm.de</p>	Created at (MM/DD/YY): 08/15/25	RML 5435 - 514 - 216	Euroscale Black
	Alterations: 11/03/25	MN: 170003387	Pantone Orange 165 C
	JOB TITLE: PK-Merz MY Malaysia FS100 1	MC: 313	Dieline (not for printing!)
	Size: 132 x 77 x 29 mm (w x h x d)	MZ: 233	Free of Varnish (not for printing!)
	LX-15683		Dispersionslack

170003387 FS PK-Merz Tabl 100St MY RML 5435 514 216-1

	Released for printing	Procedure no. (or identifier)	Identical to approved texts	Compliant with national blue box requirements	Serialization (readable data)	Non-regulatory information is correct and complete	Date Signature
<b>*By signing off this artwork the reviewer assumes full responsibility for the released of the print. Any malperformance may lead to liability claims.</b>							
Reg. Affairs Reviewer 1 (mandatory)*	<input type="checkbox"/>	...	<input type="checkbox"/>	<input type="checkbox"/>	<input type="checkbox"/> (1)	<input type="checkbox"/> (2)	
Reg. Affairs Reviewer 2 (mandatory)*	<input type="checkbox"/>	...	<input type="checkbox"/>	<input type="checkbox"/>	<input type="checkbox"/> (1)	<input type="checkbox"/> (2)	
Information officer ( mandatory)*	<input type="checkbox"/> received		<input type="checkbox"/> with comments		<input type="checkbox"/> without comments		
Distributor (Non-Affiliate countries)	<input type="checkbox"/> received		<input type="checkbox"/> with comments		<input type="checkbox"/> without comments		
Marketing	<input type="checkbox"/> received		<input type="checkbox"/> with comments		<input type="checkbox"/> without comments		
Legal for released for printing	<input type="checkbox"/> received		<input type="checkbox"/> with comments		<input type="checkbox"/> without comments		

(1) e.g. PC-NTIN, lot, expiry date format mm.yyyy; (2) Only for affiliate countries



 <b>RML Typografik GmbH</b> Schleusenstraße 17 60327 Frankfurt 069-46 87 02 ☎ box@rml-ffm.de	Created at (MM/DD/YY): 08/15/25	RML 5435 - 514 - 216	Euroscale Black
	Alterations: 11/03/25	MN: 170003387	Pantone Orange 165 C
JOB TITLE: PK-Merz MY Malaysia FS100 1	Size: 132 x 77 x 29 mm (w x h x d)	MC: 313	Dieline (not for printing!)
		MZ: 233	Free Of Varnish (not for printing!)
		LX-15683	Dispersionslack

170003387 FS PK-Merz Tabl 100St MY RML 5435 514 216-1

	Released for printing	Procedure no. (or identifier)	Identical to approved texts	Compliant with national blue box requirements	Serialization (readable data)	Non-regulatory information is correct and complete	Date Signature
<b>*By signing off this artwork the reviewer assumes full responsibility for the released of the print. Any malperformance may lead to liability claims.</b>							
Reg. Affairs Reviewer 1 (mandatory)*	<input type="checkbox"/>	...	<input type="checkbox"/>	<input type="checkbox"/>	<input type="checkbox"/> (1)	<input type="checkbox"/> (2)	
Reg. Affairs Reviewer 2 (mandatory)*	<input type="checkbox"/>	...	<input type="checkbox"/>	<input type="checkbox"/>	<input type="checkbox"/> (1)	<input type="checkbox"/> (2)	
Information officer ( mandatory)*	<input type="checkbox"/> received		<input type="checkbox"/> with comments		<input type="checkbox"/> without comments		
Distributor (Non-Affiliate countries)	<input type="checkbox"/> received		<input type="checkbox"/> with comments		<input type="checkbox"/> without comments		
Marketing	<input type="checkbox"/> received		<input type="checkbox"/> with comments		<input type="checkbox"/> without comments		
Legal for released for printing	<input type="checkbox"/> received		<input type="checkbox"/> with comments		<input type="checkbox"/> without comments		

(1) e.g. PC-NTIN, lot, expiry date format mm.yyyy; (2) Only for affiliate countries